



K&SIBASIC

SIMPLE ENERGY

Gasoline Powered Generator

KSB 1200C

KSB 2200A

KSB 2200C

KSB 2800A

KSB 2800C

KSB 3500C

KSB 6500C

KSB 6500CE

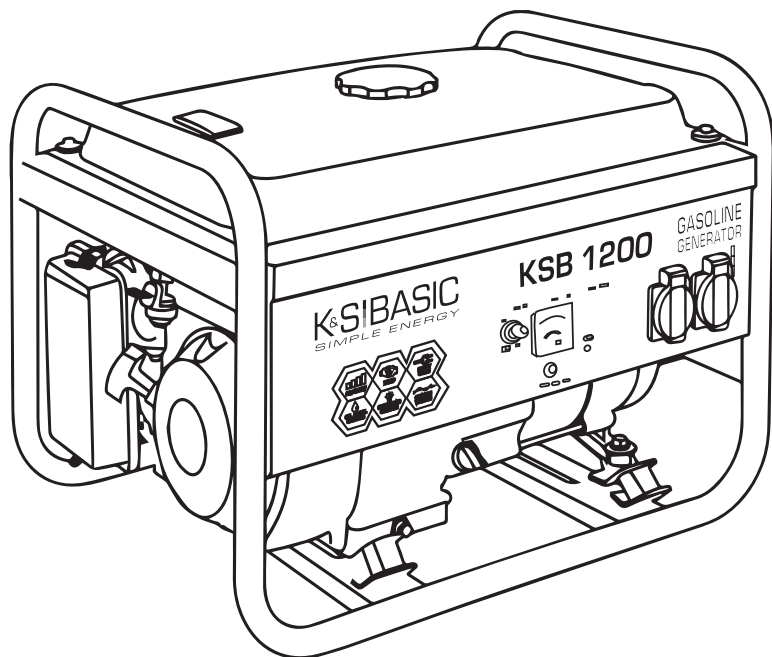


TABLE OF CONTENTS

1. PREFACE	2
2. SAFETY PRECAUTIONS	2
2.1. Work area	2-3
2.2. Electrical Safety	3
2.3. Personal Safety	3-4
2.4. Safety Precautions for Gasoline Powered Generator Operation	4
3. SAFETY SYMBOLS	5
3.1. Description of safety symbols when operating the generator	5
4. DESCRIPTION OF GENERATOR INSCRIPTIONS	6
5. GENERAL VIEW AND COMPOSITION OF THE GASOLINE POWERED GENERATOR	7
6. GENERATOR SPECIFICATIONS	8-9
7. GENERATOR DELIVERY PACKAGE	10
8. CONTROL PANELS	10
9. COMMISSIONING	11
10. GETTING STARTED	11
10.1. Checking the fuel level	11
10.2. Checking the oil level	11
11. ENGINE START	12
11.1. Gasoline Powered Generator Engine Start	12
12. ENGINE STOP	13
12.1. Gasoline Powered Generator Stop	13
13. MAINTENANCE	13
14. RECOMMENDED MAINTENANCE SCHEDULE	14
15. SPARK PLUG MAINTENANCE	14
16. RECOMMENDED OILS	15
17. AIR FILTER MAINTENANCE	16
18. GENERATOR STORAGE	17
19. GENERATOR TRANSPORTATION	17
20. GENERATOR DISPOSAL	17
21. TROUBLESHOOTING	18
22. AVERAGE POWER RATINGS OF DEVICES	19
23. WARRANTY PROVISIONS	20

1. PREFACE

Thank you for your purchase of K&S Basic generator. This owner's manual contains safety instructions, a description of the use and commissioning of K&S Basic generators and procedures for their maintenance.

The generator manufacturer may make some modifications that may not be reflected in this manual. The manufacturer reserves the right to make changes in the product design, configuration and construction. The images and drawings in this manual are for reference only and may differ from the actual components and inscriptions on the products.

Contact information that you are free to use in case of any problems can be found at the end of this manual. All information in this manual is correct to the best of our knowledge and belief at the date of its publication. The current list of service centers can be found on the official importer's website: www.ks-power.de/en



WARNING - DANGER!



Please read this manual carefully before first in order to ensure equipment integrity and avoid possible injuries.

ABBREVIATIONS

KSB -K&S Basic electric generator

A- Aluminum alternator winding

C- Copper winding

Please read this manual carefully. Pay particular attention to information that starts with characters/words:



WARNING - DANGER!



Failure to observe the recommendation indicated by this sign may result in serious injury or death to the operator or unauthorized persons.



PLEASE NOTE!



Useful information on the use of the device.

2. SAFETY PRECAUTIONS

2.1. WORK AREA

- The generator must not be used in premises with poor ventilation since exhaust gases contain poisonous carbon monoxide, which is life threatening!
- Do not use the generator in the rain, snow and high humidity. Do not touch the generator with wet hands and expose to direct sunlight for a long time. It

is recommended to store and use the generator indoors or in well-ventilated premises.

- Always install the generator on a flat solid horizontal surface. The generator is equipped with dampers to reduce vibration during operation and avoid damage to the surface where the generator is installed.
- Do not use the generator near flammable gases, liquids or dust. During operation of the generator, its exhaust system becomes very hot. This may cause fire or explosion of these materials.
- Keep the work area clean and well lit to avoid injuries.
- Keep unauthorized persons, children and animals away from the running generator.
- Always wear protective shoes and protective gloves when operating the generator.

2.2. ELECTRICAL SAFETY



УВАГА - НЕБЕЗПЕЧНО!



The device generates electricity. Observe safety precautions to avoid electric shock.

- The wiring diagram for the generator must comply with the installation rules and applicable statutory requirements.
- All wiring connections of the generator must be carried out by a certified electrician in accordance with all electrical codes and regulations.
- Avoid the generator supply from the mains during restoration of the power supply.
- Avoid operating the generator in high-humidity environments. Do not allow moisture to enter the generator, as this increases the risk of electric shock.
- Avoid direct contact with grounded surfaces (pipes, radiators, etc.).
- Be careful when working with the power cord. Replace it immediately in case of damage, as damaged power cord increases the risk of electric shock.
- All connections of the generator to the mains must be carried out by a certified electrician.
- Connect the electric generator to the protective ground before operation using the terminal located on the generator control panel.
- Do not connect/disconnect the generator to/from power consumers while standing in water, on wet or damp soil.
- Do not touch live parts of the generator.
- Only connect the generator to the power consumers that correspond to the electrical specifications and power rating of the generator.
- Keep all electrical equipment dry and clean. Replace damaged or worn wiring. Worn, damaged, or rusted terminals must be replaced as well.

2.3. PERSONAL SAFETY

- Do not operate the generator when you are tired or under the influence of potent drugs, alcohol or medication. During operation, inattention can cause serious injury.
- Avoid inadvertent start-up. Make sure the power switch is set to OFF when turning off the generator.

**WARNING - DANGER!**

Failure to comply with these requirements may result in fire or explosion of the generator, as well as fire in the building wiring.

- Do not operate the generator in areas with poor ventilation. Exhaust gases contain poisonous carbon monoxide, which is life threatening!
- Make sure there are no foreign objects on the generator when it is turned on. Use the product for its intended purpose only. The generator customer using the device for other than the intended purpose shall be deprived of the right to free warranty repair. Do not sit, stand on the generator and misuse the equipment.
- Always keep proper footing and balance when starting the generator.
- Do not overload the generator, use it for its intended purpose only.

2.4. SAFETY PRECAUTIONS FOR GASOLINE POWERED GENERATOR OPERATION

Please note the following:

- Do not start the generator when it is under load.
- The generator must be installed at least 1 m away from explosive and flammable substances and objects since its engine heats up during operation.
- Do not fill the fuel tank when the engine is running.
- Do not smoke while refueling.
- For the generator, A-92 gasoline is recommended. After filling the tank, remove all excess fuel from the surface. Do not use kerosene or other fuel. Otherwise, the engine may be damaged.
- Observe the fuel tank while filling in order to avoid overfilling.
- Do not touch the exhaust system after starting the generator and during its operation.
- Avoid operating the generator near water, in the rain or snow if there is a risk of it becoming wet.
- Before starting the generator, learn how to stop the generator in case of an emergency.

**WARNING - DANGER!**

Fuel pollutes soil and groundwater. Avoid gasoline leaking out of the fuel tank!

3. SAFETY SYMBOLS

3.1. DESCRIPTION OF SAFETY SYMBOLS WHEN OPERATING THE GENERATOR

Fig. 1

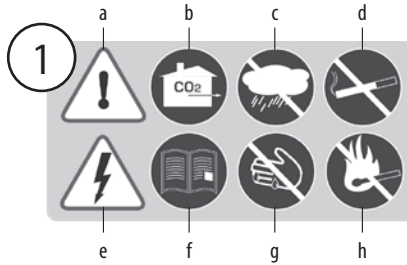
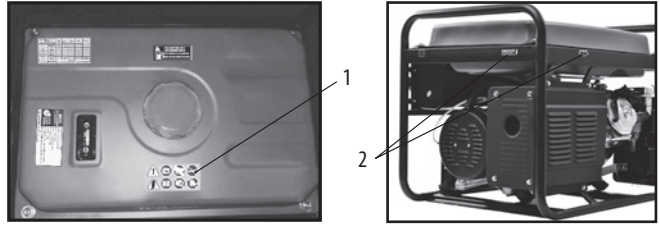
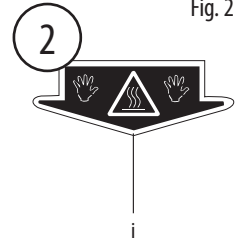


Fig. 2



a. Be careful when operating the device! Observe the safety instructions in this manual.

b. Operate the generator only in well-ventilated indoor spaces or outdoors. Exhaust gases contain CO₂, whose vapors are life threatening.

c. Do not operate or store the device in high-humidity environments.

d. Do not smoke while operating the generator!

e. The device generates electricity. Observe

safety precautions to avoid electric shock.

f. Read this owner's manual carefully before operating the device.

g. Do not touch the generator with wet or dirty hands.

h. Observe fire safety regulations, do not operate the generator near open flame.

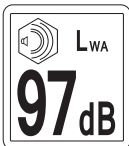
i. Do not touch! The generator dampener becomes hot during operation.

4. DESCRIPTION OF GENERATOR INSCRIPTIONS

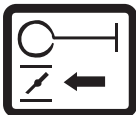
APART FROM THE SAFETY SYMBOLS, THE GENERATOR CONTAINS THE FOLLOWING INSCRIPTIONS:

K&S BASIC Gasoline generator set Generator benzynowy		Model KS 3000
MAXIMUM POWER MOC MASYNAŁA	3.0 kW	POWER FACTOR WSPÓŁCZYNNIK MOCY
BATED POWER MOC NOMINALNA	2.8 kW	PROTECTED CLASS STOPNIEN OCHRONY
VOLTAGE NAPIĘCIE	230V	PROTECTION CLASS KLASA WYDRAŻENIA
FREQUENCY CURRENT CIEPLOTŁOŚC	50Hz	AMBIENCE TEMPERATURA
AC INPUT CURRENT PRĄD NOMINALNY AC	13.3A	ALTITUDE WYSOKOŚĆ
DC OUTPUT WYJŚCIE DC	12V	WEIGHT WAGA
DC INPUT CURRENT PRĄD NOMINALNY DC	6.3A	YEAR OF ISSUE ROK WYDZIAŁANIA
S/N SERIAL NUMBER IS MARKED ON THE ENGINE OF GENERATOR NUMER SERYJNY JEST WYTYCZONY NA SILNIKU GENERATORA		CE
<small>Manufacturer: DIMAX Int. GmbH, Hauptstr. 134, 51143 Ekin, Germany, www.ki-power.de Producent: DIMAX International GmbH, ul. Hauptstr., 134, Niemcy, Kolonia, z siedzibą w CE. Importer do Polski: DIMAX International Poland Sp. z o.o. Swieradowska 47, 52-562, Wąrzawa, Polska, www.ki-power.pl</small>		

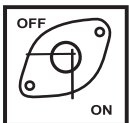
Specifications chart. Specifications vary from model to model. For more information, see "Generator Specifications".



Noise level information for each model can be found in the specifications chart.



Indicates the direction of opening the air choke.



Indicates the position of the fuel valve. The "ON" position means open and the "OFF" position means closed.



Fuel level indicator. The icon on the left indicates that the fuel tank is full, and the icon on the right indicates that the fuel tank is empty.



Crankcase capacity (varies from model to model)
Recommended oils.

Recommended maintenance schedule	Every start	First month or 20 hours	Every 3 months or 50 hours	Every 6 months or 100 hours	Every year or 300 hours
Motor oil	Check the level	X			
	Replace	X	X		
Air filter	Clean out		X		
Fuel filter	Clean out			X	
Spark plug	Check/ Clean out			X	
Fuel tank	Check the level	X			
	Clean out	X			X
Fuel line	Check/ Inspect if needed				Every 2 years

* Clean out more often in a dusty conditions ** Maintenance should be done only by authorized specialist

Maintenance information in the language of the country where the generator is sold can be found in the "Maintenance" section.



Note on the required oil level in the crankcase



Ground

5. GENERAL VIEW AND COMPOSITION OF THE GASOLINE POWERED GENERATOR

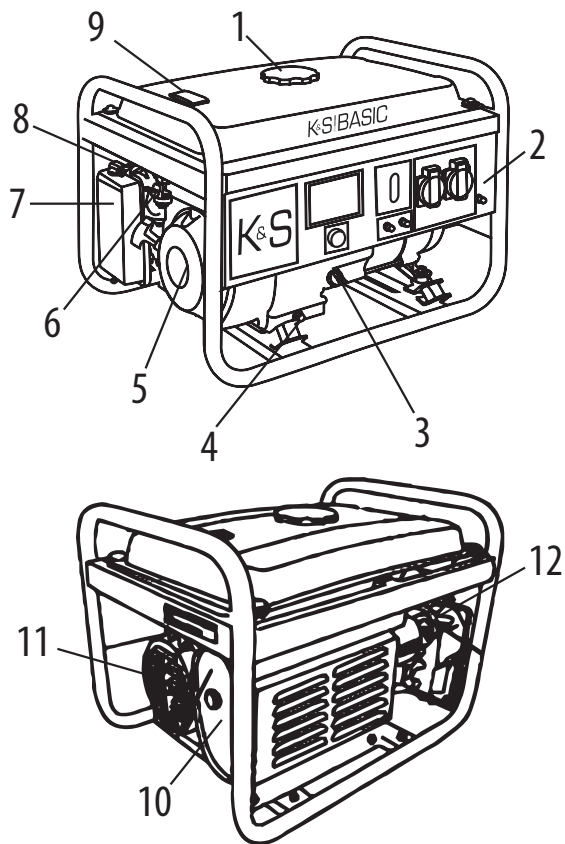


Fig. 3

- | | |
|------------------|-------------------------|
| 1. Fuel cap | 7. Air filter |
| 2. Control panel | 8. Air choke lever |
| 3. Oil dipstick | 9. Fuel level indicator |
| 4. Oil drain cap | 10. Damper |
| 5. Hand starter | 11. Alternator |
| 6. Fuel valve | 12. Spark plug |



PLEASE NOTE!



The manufacturer reserves the right to make changes in the product design, configuration and construction. Illustrations in this manual are for reference only and may differ from actual components and inscriptions on the products.

6. GENERATOR SPECIFICATIONS:

Model	KSB 1200C	KSB 2200A	KS 2200C
Voltage (V)	230	230	230
Maximum power (kW)	1,0	2,2	2,2
Rated power (kW)	0,9	2,0	2,0
Frequency (Hz)	50	50	50
Current max(A)	4,34	8,69	8,69
Outlets	1*16A	2*16A	2*16A
Fuel tank capacity (L)	6	15	15
Operation time at 50% load	9	13	13
Voltmeter	+	+	+
Noise level L _{PA} /L _{WA} (dB)	70/95	70/95	70/95
Output 12 V (A)	12/8,3	12/8,3	12/8,3
Engine model	KS-B90	KS-B180	KS-B180
Engine type	Gasoline powered four-stroke	Gasoline powered four-stroke	Gasoline powered four-stroke
Power output (hp)	2,9	5,5	5,5
Crankcase capacity (cm ³)	0,37	0,6	0,6
Engine capacity (cm ³)	80	163	163
Voltage regulator	AVR	AVR	AVR
Engine start	Manual	Manual	Manual
Power factor (cosφ)	1	1	1
Dimensions (LxWxH), mm	460*370*380	605*445*450	605*445*450
Net weight (kg)	26	40	40
Protection class	IP23M	IP23M	IP23M
Max. altitude above sea level (m)	1000	1000	1000
Relative humidity	<95%	<93%	<95%
Rated voltage tolerance - max. 5%			

GENERATOR SPECIFICATIONS:

Model	KSB 2800A	KSB 2800C
Voltage (V)	230	230
Maximum power (kW/kVA)	2,8	2,8
Rated power (kW/kVA)	2,5	2,5
Frequency (Hz)	50	50
Current max (A)	12,17	12,17
Outlets	2*16A	2*16A
Fuel tank capacity (L)	15	15
Operation time at 50% load	12	12
Voltmeter	+	+
Noise level L_{pA}/L_{WA} (dB)	71/96	71/96
Output 12 V (A)	12/8,3	12/8,3
Engine model	KS-B210	KS-B210
Engine type	Gasoline powered four-stroke	Gasoline powered four-stroke
Power output (hp)	6,5	6,5
Crankcase capacity (cm ³)	0,6	0,6
Engine capacity (cm ³)	196	196
Voltage regulator	AVR	AVR
Engine start	Manual	Manual
Power factor (cosφ)	1	1
Dimensions (LxWxH), mm	605*445*450	605*445*450
Net weight (kg)	36	37,4
Protection class	IP23M	IP23M
Max. altitude above sea level (m)	1000	1000
Relative humidity	<95%	<95%
Rated voltage tolerance - max. 5%		

GENERATOR SPECIFICATIONS:

Model	KSB 3500C	KSB 6500C	KSB 6500CE
Voltage (V)	230	230	230
Maximum power (kW)	3,0	5,5	5,5
Rated power (kW)	2,8	5,0	5,0
Frequency (Hz)	50	50	50
Current max(A)	13,04	23,91	23,91
Outlets	2*16A	1*16A, 1*32A	1*16A, 1*32A
Fuel tank capacity (L)	15	25	25
Operation time at 50% load	10	9	9
Voltmeter/ LED display	LED display (voltage frequency working hours)	Voltmeter	LED display (voltage frequency working hours)
Noise level L _{PA} /L _{WA} (dB)	71/96	71/96	71/96
Output 12 V (A)	12/8,3	12/8,3	12/8,3
Engine model	KS-B230	KS-B410	KS-B410
Engine type	Gasoline powered four-stroke		
Power output (hp)	7	13	13
Crankcase capacity (cm ³)	0,6	1,1	1,1
Engine capacity (cm ³)	208	389	389
Voltage regulator	AVR	AVR	AVR
Engine start	manual	manual	manual/ electric
Power factor (cosφ)	1	1	1
Dimensions (LxWxH), mm	605*445*450	695*530*560	695*530*560
Net weight (kg)	45	80	82
Protection class	IP23M	IP23M	IP23M
Max. altitude above sea level (m)	1000	1000	1000
Relative humidity	<95%	<95%	<95%
Rated voltage tolerance - max. 5%			

To ensure the reliability of the generator and increase its lifespan, the peak capacities may be slightly limited by circuit breakers.

The optimum operating conditions are ambient temperature of 17 – 25°C, barometric pressure of 0.1 MPa (760 mm Hg), and relative humidity of 50 – 60%. Under such ambient conditions, the generator can guarantee maximum performance in terms of the stated specifications. In case of deviations from the above ambient values, the performance of the generator can be different.

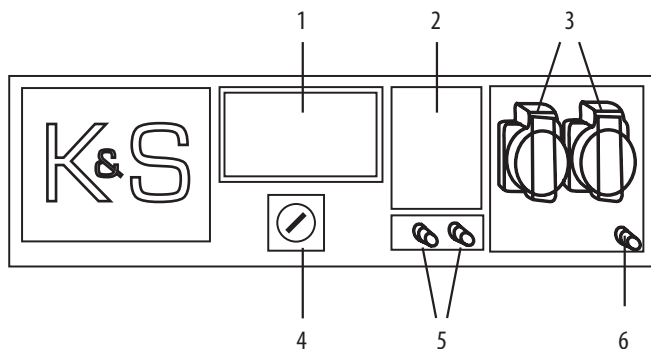
Please note that in order to preserve the lifespan of the generator, continuous loads should not exceed 80% of the rated power.

7. GENERATOR DELIVERY PACKAGE

1. Generator
2. Packaging
3. Owner's manual
4. Spark plug wrench

8. CONTROL PANEL

Fig. 4



1. Voltmeter
2. Safety switch
3. Outlets
4. Engine start button (ON/OFF)
5. 12 V/DC sockets
6. Ground connector

USE CARE WHEN THE GENERATOR IS RUNNING:

- You can use the generator if the voltmeter indicates a value of 230 V \pm 10% (50 Hz).
- Monitor the voltmeter and stop the generator if the value is too high.
- Avoid using 12 V voltage simultaneously with 230 V.

9. COMMISSIONING

The generator is supplied without fuel. Before use, be sure to fill the fuel tank. Recommendations for refueling are listed below. The generator is supplied without motor oil. The generator crankcase may contain oil residues after factory tests. Be sure to add oil before use. Recommendations for oils and filling procedure are given below.

To commission the generator, follow the maintenance recommendations for the first month or twenty hours of operation (whichever comes first) contained in the "Maintenance" section.

10. GETTING STARTED

10.1. CHECKING THE FUEL LEVEL

1. Wear protective gloves to avoid getting gasoline on your skin.
2. Unscrew the fuel cap and check the fuel level in the tank.
3. Fill the fuel tank to the fuel filter level.
4. Tighten the fuel cap securely.

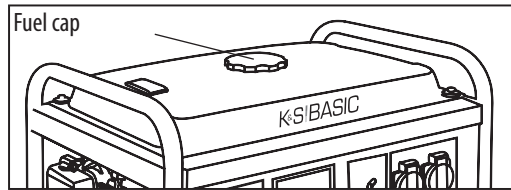


Fig. 5



PLEASE NOTE!



For the generator, A-92 gasoline is recommended. Using other fuels may cause damage to the engine.

10.2. CHECKING THE OIL LEVEL

1. Wear protective gloves to avoid getting oil on your skin.
2. Unscrew the oil dipstick and wipe it out with a clean cloth.
3. Insert the dipstick without screwing it in.
4. Check the oil level by a mark on the oil dipstick.
5. Add oil if its level is below the mark on the oil dipstick.
6. Tighten the oil dipstick.



Fig. 6



PLEASE NOTE!



If the generator has not been used for a long time, recharge the battery with a charger (not included).

11. ENGINE START



Before starting the engine make sure that the total power of tools or power consumers corresponds to the rated power of the generator.

Do not exceed the rated power of the generator. Do not connect any devices before the engine start! In the power supply mode, the generator should operate no longer than 30 minutes in the range from rated to maximum power.

Before connecting any devices to the generator, make sure that they are in good condition. If the device that was connected suddenly stopped or failed, immediately disconnect the power using a safety switch, disconnect the device and check it out.



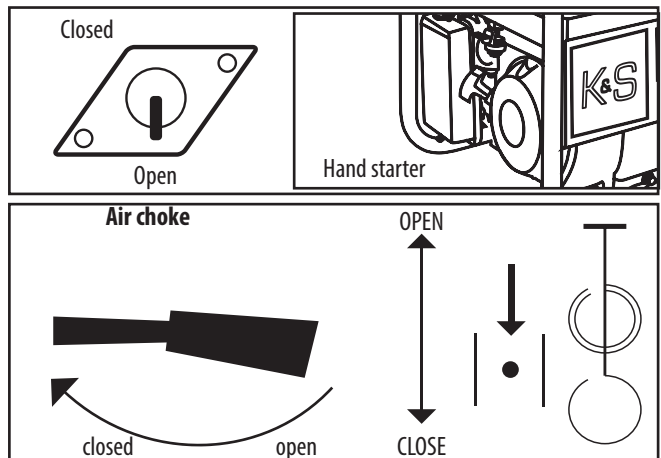
Do not connect two or more devices simultaneously. The start-up of many devices requires high power. Devices should be connected in turn according to their power rating. Do not connect any power consumers within the first 3 minutes after the generator start.

11.1. GASOLINE POWERED GENERATOR ENGINE START

1. Move the fuel valve to the "OPEN" position.
2. Set the air choke to the closed position.
3. To start the generator manually, grasp the starter handle and slowly pull it until resistance is felt. Pull the starter cord to the full length with a sharp movement.
4. Set the air choke to the "OPEN" position.

Fuel valve

Fig. 7



12. ENGINE STOP



PLEASE NOTE!



Disconnect all devices before stopping the generator! Do not stop the generator if it has any devices connected to it. This may disable the generator!

12.1. GASOLINE POWERED GENERATOR STOP:

1. Disconnect all power consumers from the generator, set the safety switch to the OFF position.
2. In case of manual start, set the engine switch to OFF.
3. In case of electric start, set the key to OFF.
4. Move the fuel valve to the "CLOSE" position.
5. Allow the generator to operate at idle for 3 minutes so that the alternator cools down.

13. MAINTENANCE

Maintenance work listed in section "Maintenance" should be performed on a regular basis. If you cannot perform maintenance work on your own, please contact the authorized service center to request the required maintenance work.



PLEASE NOTE!



The manufacturer shall not be liable for any damage caused by failure to perform maintenance work.

Such damage also includes:

- Damage resulting from the use of non-original spare parts;
- Corrosive damage and other effects of improper storage of equipment;
- Damage caused by maintenance work performed by unskilled technicians.

The current list of service centers can be found on the exclusive importer's website: www.ks-power.de/en

Observe the instructions in this manual!

The generator must be maintained, operated and stored in accordance with the instructions in this manual. The manufacturer shall not be liable for damage and loss caused by failure to comply with safety and maintenance regulations.

This primarily applies to:

- The use of lubricants, fuels and motor oils not authorized by the manufacturer;
- Technical changes to the product;
- The misuse of equipment;
- Indirect losses caused by operation of the product with defective parts.

14. RECOMMENDED MAINTENANCE SCHEDULE

Node	Service type	First month or 20 hours	Before starting	Each month or after 20 working hours	Each 3 months or after 50 working hrs	Each 6 months or after 100 working hrs	Each year or after 300 working hrs
Motor oil	Checking level		✓				
	Changing	✓			✓		
Air filter	Cleaning	✓		✓			
	Changing				✓		
Sparking plug	Cleaning	✓			✓		
	Changing					✓	
Fuel tank	Checking level		✓				
	Cleaning						✓
Fuel filter	Cleaning					✓	

15. SPARK PLUG MAINTENANCE

A spark plug is an important element that ensures proper engine operation. It must be intact, properly gapped and free of deposits.

Inspecting the spark plug:

1. Remove the spark plug cap.
2. Unscrew the spark plug with the appropriate wrench.
3. Visually inspect the spark plug. If the spark plug is damaged, it must be replaced. It is recommended to use the F7TC spark plug.
4. Measure the gap. It should be in the range of 0.7 – 0.8 mm.
5. Before re-using the spark plug, it must be cleaned from deposits with a metal brush. After that, set the correct gap.
6. Screw in the spark plug back with the dedicated spark plug wrench.
7. Replace the spark plug cap.

Fig. 8

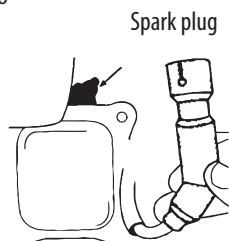
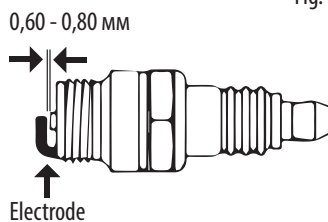
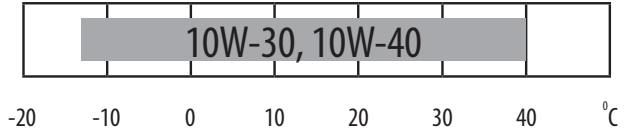


Fig. 9



16. RECOMMENDED OILS

Motor oil significantly affects the engine performance and is the main factor that determines its service life. Use oil intended for four-stroke automobile engines, as it contains detergent additives that meet or exceed the SE standards according to the APE classification (or equivalent). Generally, it is recommended to use oil with a viscosity of SAE 10W-30. Motor oils with a different grade shown in the table can be used only if the average air temperature in your area does not fall outside the specified temperature range. SAE oil viscosity or oil service category is indicated on the APE tank label.



REPLACING OR ADDING MOTOR OIL

If the oil level drops, fresh oil must be added to ensure proper operation of the generator. Check the oil level according to the maintenance schedule.

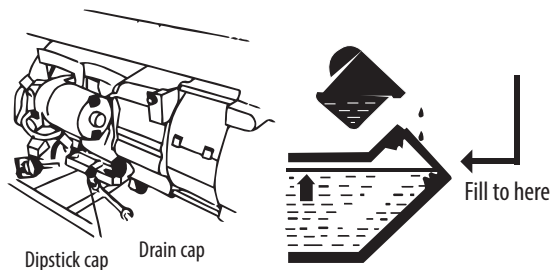
To drain oil, proceed as follows:

1. Wear protective gloves to avoid getting oil on your skin.
2. Place an oil drain tray under the engine.
3. Unscrew the drain cap located on the engine under the dipstick cap with a 10 mm wrench (for generators up to 3.0 kW) or 12 mm (for generators above 3.0 kW).
4. Wait for the oil to drain.
5. Replace the drain cap and tighten securely.
6. It is better to drain oil while the engine is still hot after operation to ensure quick and complete oil draining.

To add oil, proceed as follows:

1. Wear protective gloves to avoid getting oil on your skin.
2. Make sure the generator is mounted on a flat, level surface.
3. Unscrew the dipstick cap on the engine.
4. Use a funnel to fill the crankcase with high-grade oil. The funnel is not included. After filling, the oil level should be close to the top of the oil filler.

Fig. 10





WARNING - DANGER!



Oil pollutes soil and groundwater. Avoid oil leaking out of the crankcase. Dump used oil into the sealed container.

Hand over used oil to waste oil collection point.

17. AIR FILTER MAINTENANCE

The air filter should be checked for contamination from time to time. Regular maintenance of the air filter is necessary to maintain sufficient air flow in the carburetor.

Cleaning the filter

1. Open the clips on the top cover of the air filter.
2. Remove the sponge filter element.
3. Remove all dirt inside the empty air filter housing.
4. Clean the filter element thoroughly in warm soapy water.
5. Dry the sponge filter.
6. Soak a dry filter element in engine oil, and then squeeze out excess oil.

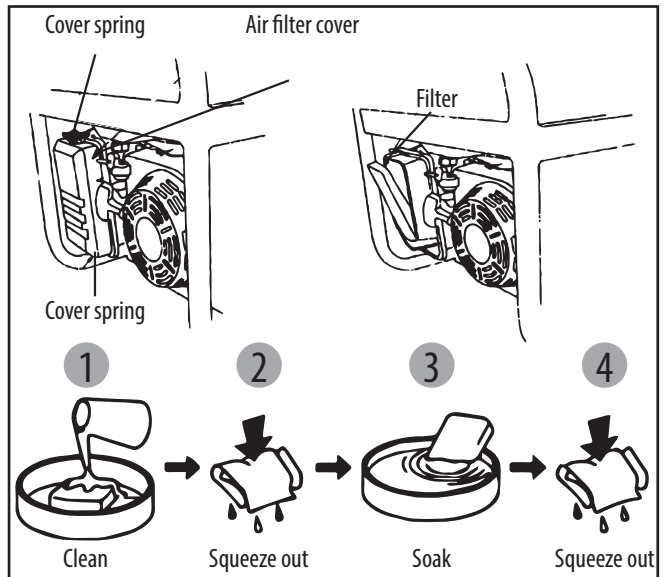


PLEASE NOTE!



Replace the air filter every 50 operating hours of the generator (every 10 hours in dirty conditions).

Fig. 11



18. GENERATOR STORAGE

The generator must be stored in a dry, well-ventilated area that is free from dust. Keep away from children and animals. It is recommended to store and use the generator at a temperature of -20 to +40 °C. Do not expose the generator to direct sunlight and precipitation.



PLEASE NOTE!



Note! The generator must always be ready for use. Any malfunctions in the generator must be repaired before placing the generator in storage.



PLEASE NOTE!



Before long-term storage of the generator when the engine is running, close the fuel valve of the fuel tank and allow the engine to work gasoline out of the carburetor. Wait until the engine stops.

In case of lengthy generator downtime, observe the following conditions:

- External parts of the generator and engine, especially cooling fins, must be thoroughly cleaned.
- Unscrew the carburetor float chamber screw, empty the chamber.
- Remove the spark plug.
- Unscrew the oil drain screw and drain the oil.
- Add a teaspoon of engine oil (5 – 10 ml) to the cylinder. After that, pull the starter cord several times so that the oil spreads along the cylinder walls.
- Replace (screw in) the spark plug.
- Pull the starter handle until resistance is felt so that the piston is at the top of its stroke. As a result, the inlet and outlet valves of the generator will be closed and no internal corrosion of the engine will occur if the device is stored in that position.
- Release the starter handle smoothly.
- Remove the battery terminals. Grease the battery and connection terminals with anti-oxidation grease.

19. GENERATOR TRANSPORTATION

For convenient transportation of the generator, use the original packaging of the generator. Secure the generator packaging to prevent the generator from tipping over during transportation. Before transporting the generator, drain the fuel and disconnect the battery terminals.

To lift or handle the generator on site, grasp it by the frame. Be careful when handling the heavy generator (40 to 90 kg). It is recommended that the generator be carried by at least two people. Move carefully, do not put your feet under the generator frame.

20. GENERATOR DISPOSAL

To prevent damage to the environment, do not dispose of the generator in normal household waste. Dispose of the generator in the safest way by handing it over to dedicated waste collection points.

21. TROUBLESHOOTING

Fault	Probable cause	Remedy
Engine will not start	The engine start key (button) is set to the OFF position	Set the engine start key (button) to the ON position
	The fuel valve is set to the "CLOSE" position	Move the fuel valve to the "OPEN" position
	Air choke is open	Close the air choke lever
	Fuel tank is empty	Fill in the fuel tank
	Fuel tanks contains dirty or used fuel	Replace fuel in the fuel tank
	Spark plug smoked or damaged; wrong distance between electrodes	Clean the spark plug or replace it with a new one; set the correct distance between the electrodes
Reduced engine power / troubled engine start	Fuel tank is dirty	Clean the fuel tank
	Air filter is dirty	Clean the air filter
	Water in fuel tank and/or carburetor; clogged carburetor	Empty the fuel tank, fuel line and carburetor
	Wrong distance between spark plug electrodes	Set the correct distance between the electrodes.
Engine overheating	Cooling fins are contaminated	Clean the cooling fins
	Air filter is dirty	Clean the air filter
Engine starts, but no output voltage	Circuit breaker tripped	Set the circuit breaker to ON
	Connection cables of poor quality	Check cables for normal operation; replace, if extension cable is used
	Faulty connected device	Try connecting another device
Generator works, but does not support connected electrical devices	Device overload	Try to connect less equipment
	Short circuit of one of the connected devices	Try disconnecting the faulty device.
	Air filter is dirty	Clean the air filter
	Insufficient engine speed	Contact the service center

22. AVERAGE POWER CONSUMPTION OF DEVICES

Device	Power (kW)
Iron	500-1100
Hair dryer	450-1200
Coffee machine	800-1500
Electric cooker	800-1800
Toaster	600-1500
Heater	1000-2000
Vacuum cleaner	400-1000
Radio	50-250
Grill	1200-2300
Oven	1000-2000
Fridge	100-150
TV set	100-400
Perforator	600-1400
Drill	400-800
Freezer	100-400
Grinder	300-1100
Circular saw	750-1600
Crank gear	650-2200
Jigsaw	250-700
Planer	400-1000
Compressor	750-3000
Water pump	750-3900
Bench saw	1800-4000
Electric mower	750-3000
Electric motors	550-5000
Fans	750-1700
High pressure unit	2000-4000
Air conditioner	1000-5000

23. WARRANTY SERVICE TERMS

TERMS AND CONDITIONS:

The international manufacturer warranty is 1 year. The warranty period starts from the date of purchase. In cases when warranty period is longer than 1 year according to local legislation please contact your local dealer. The Seller which sells the product is responsible for granting the warranty. Please contact the Seller for warranty. Within the warranty period, if the product fails because of defects in the production process, it will be exchanged on the same product or repaired.

The warranty card should be kept throughout the warranty period. In case of warranty card loss, a second one will not be provided. The customer must provide the warranty card and buyer's check during request for repair or exchange. Otherwise, the warranty service will not be provided. The warranty card, attached to the product during sale, should be correctly and fully completed by the retailer and customer, signed and stamped. In other cases, warranty is not considered as valid.

Provide clean product to the service center. Parts, that must be replaced, are the property of the service center.

WARRANTY DOES NOT COVER:

- If the user has failed to comply with the instructions in this manual.
- If the product features damaged or missing identification stickers or labels, serial numbers, etc.
- If product malfunction was due to improper transportation, storage and maintenance.
- In case of mechanical damages (cracks, chips, impact and fall marks, deformation of housing, power cord, plug or any other components), including those resulting from the freezing of water (ice formation), provided there are foreign objects inside the unit.
- If the product has been improperly installed and connected to the mains supply or misused.
- If the claimed malfunction cannot be diagnosed or demonstrated.
- If proper operation of the product can be restored following cleaning from dust and dirt, appropriate adjustment, maintenance, oil change, etc.
- If the product is used for business related purposes.
- If faults are detected, which have been caused by product overload. Signs of overload are molten or discolored parts as a result of high temperatures, damaged cylinder or piston surfaces, degraded piston rings or connecting rod bushes.
- The warranty does not cover the failure of the product automatic voltage regulator due to careless handling or mishandling.
- If faults are detected, which have been caused by instability of the user's power grid.
- If there are faults caused by contamination or fouling such as contamination of the fuel, oil or cooling system.
- If electrical cables or plugs show signs of mechanical or thermal damage.



- In the event of foreign liquids and objects, metal chips, etc. inside the product.
- If the malfunction is caused by the use of non-original spare parts and materials, oils, etc.
- If there are two or more faulty units that are not interconnected.
- If the damage was caused by natural factors such as dirt, dust, humidity, high or low temperature, natural disasters.
- To quick-wear parts and components (spark plugs, nozzles, pulleys, filter and safety elements, batteries, removable devices, belts, rubber seals, clutch springs, axles, manual starters, oils, gear).
- To preventive maintenance (cleaning, greasing, washing), installation and adjustment.
- If the product was tampered with, independently repaired or modified.
- In case of malfunctions resulting from normal wear and tear as a result of long-term use (end of life).
- If product operation was not stopped and continued after detecting a malfunction.
- Batteries supplied with equipment are covered by a warranty of three months.



EC Declaration of Conformity

No. 019

The following products have been tested by us with the listed standards and found in compliance with the European Community Machinery Directive 2006/42/EC, Low Voltage Directive 2014/35/EC, Electromagnetic compatibility Directive (EMC) 2014/30/EC, Noise Directive 2000/14/EC.

Manufacturer: DIMAX INTERNATIONAL GmbH
Address: Hauptstr. 134, 51143 Cologne, Germany
Product: Gasoline generators Set TM «K&S Basic»
Type/Model: KSB 1200C, KSB 2200A, KSB 2200C
 KSB 2800A, KSB 2800C, KSB 3500C
 KSB 6500C, KSB 6500CE

The statement is based on a single evaluation of above mentioned products. It does not imply an assessment of the whole production and does not permit the use of the test lab. logo. The manufacturer should ensure that all product in series production are in conformity with the product sample detailed in this report. The applicant should hold the whole technical report at disposal of the competent all the right.

Applied EC Directives: 2006/42/EC Machinery Directive
 2014/35/EC Low Voltage Directive
 2014/30/EC Electromagnetic compatibility Directive (EMC)
 2000/14/EC Noise Directive

Applied Standards: EN ISO 8528-13:2016; EN 60204-1:2006/A1:2009
 EN 55012:2007+A1; EN 61000-6-1:2007
 EN ISO 3744:2010; ISO 8528-10:1998

For Models: KSB 1200C, KSB 2200A, KSB 2200C, KSB 2800A, KSB 2800C, KSB 3500C, KSB 6500C, KSB 6500CE
 Noise: measured $L_{WA}=93$ dB (A), guaranteed $L_{WA}=95$ dB (A)



Issued Date: 2019-01-16
Place of issue: Warsaw city
Technical expert: Homenco A.



We DIMAX INTERNATIONAL GmbH hereby declare that specified above conforms covering European Parliament and Council Directives, 2006/42/EC of 17 May 2006 Machinery Directive, 2014/35/EC Low Voltage Directive of 26 February 2014, Electromagnetic compatibility Directive (EMC) 2014/30/EC of 26 February 2014, Noise Directive 2000/14/EC of 8 May 2000. The CE mark above can be used under the responsibility of manufacturer. After completion of an EC declaration of Conformity and compliance with all relevant EC directives.

CONTACTS

Germany

ks-power.de

info@dimaxgroup.de

Poland

ks-power.pl

info.pl@dimaxgroup.de

Ukraine

ks-power.com.ua

sales@ks-power.com.ua
